

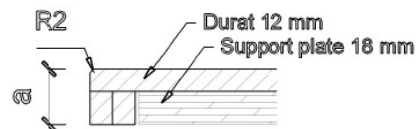
# DURAT®

## Supports and brackets for Durat® top

### STRUCTURE

Durat top (12 mm) is mounted on an 18 mm support plate for extra rigidity making the total thickness 30 mm. The supports are always attached to the support plate, not Durat itself.

To completely hide the support structure from view the edge (a) needs to be sufficiently high 150 - 180 mm.

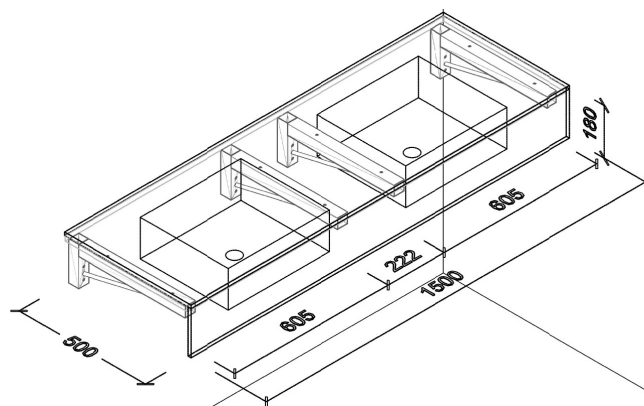
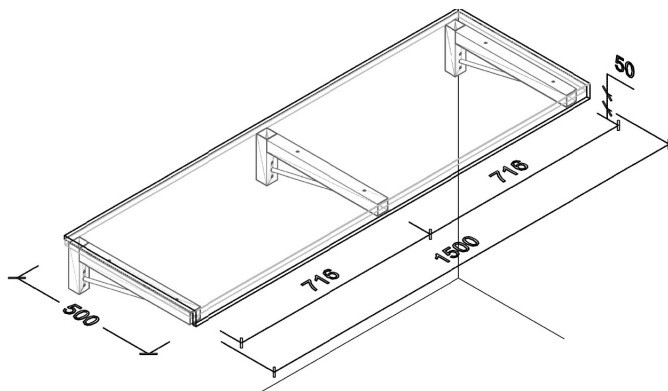


### SUPPORTING A DURAT-TOP

Durat can provide different kinds of purpose designed stainless steel supports for mounting Durat tops and vanity units.

Conventional Durat-tops need to be supported between 600-700 mm intervals.

Brackets for a top and a wash basin unit



### REQUIREMENTS

The wall the unit is to be attached to will need to be strong enough to support the weight of the basin and any load that can reasonably be assumed to be placed on the top.

The screws used to attach the bracket will also need to be of sufficient strength and quality.

### WEIGHT

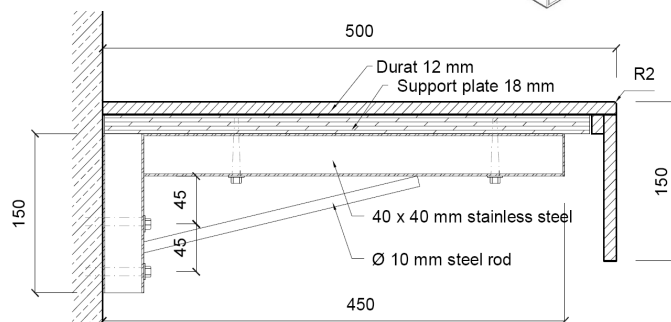
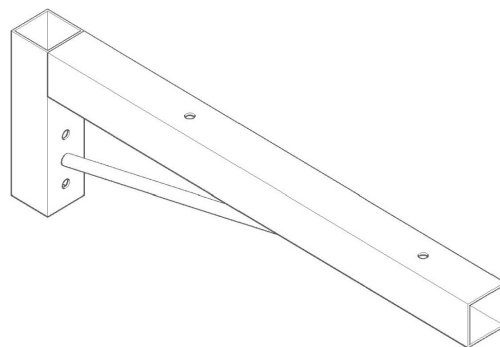
The 12 mm sheet of Durat weighs about 15 kg/m<sup>2</sup>. The support plate weighs about 10 kg/m<sup>2</sup> making the total weight of a Durat top 25 kg/m<sup>2</sup>. Hence a Durat top of 2000x500x30 mm would weigh about 25 kg.

Durat sinks weigh from 5 kg to about 15 kg (Block X-XII)

### STANDARD SUPPORTS

Durat can provide a series of different kinds of brackets.

L-brackets are sturdy supports for different sized tops. The support is generally 50 mm shorter than the top is wide. The minimum height of the support is 150 mm.



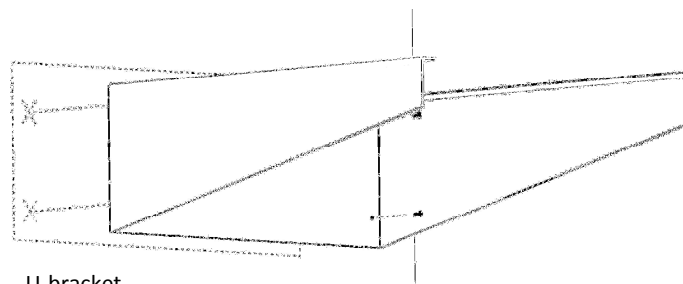
L-bracket for a 500 mm wide top

# DURAT<sup>®</sup>

## Supports and brackets for Durat<sup>®</sup> top

U-brackets are made of 1 mm thick stainless steel sheets and are designed for small basin with little room for brackets. The maximum weight of a Durat top that can be supported using a U-bracket is 60 kg and the length 1000 mm.

U-brackets are used in standard Durat models (DC74-77).



U-bracket

### CUSTOM SUPPORTS

Durat can provide series of stainless steel supports and structures for custom Durat products.